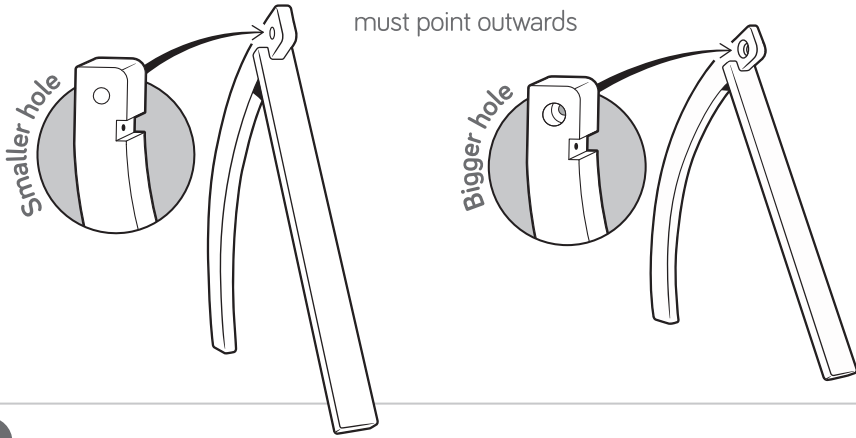




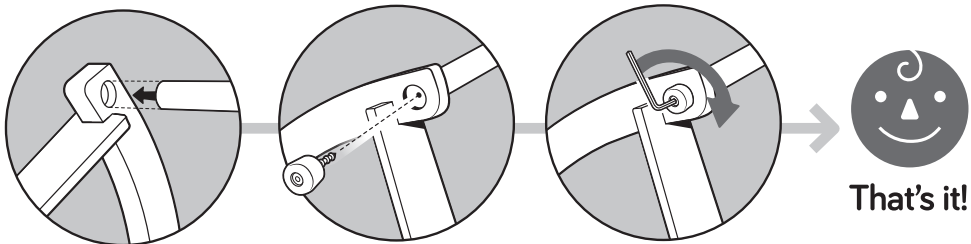
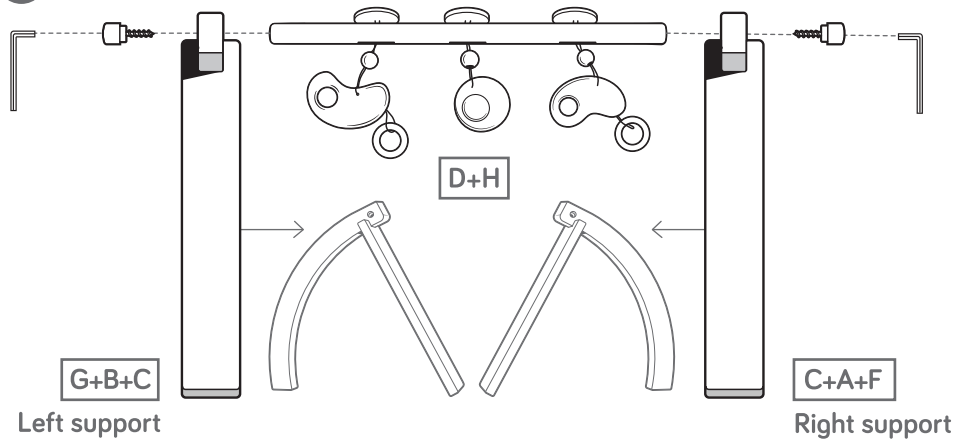
Please notice that the right support **C+A+F** and the left support **G+B+C** are a mirrored version of each other.

4

Put them on the floor side to side. The bigger hole must point inwards while the smaller one must point outwards



5



Fold this paper sheet to make a booklet



WARNING!

Please read before giving the toy to the child. Keep this information for future reference.



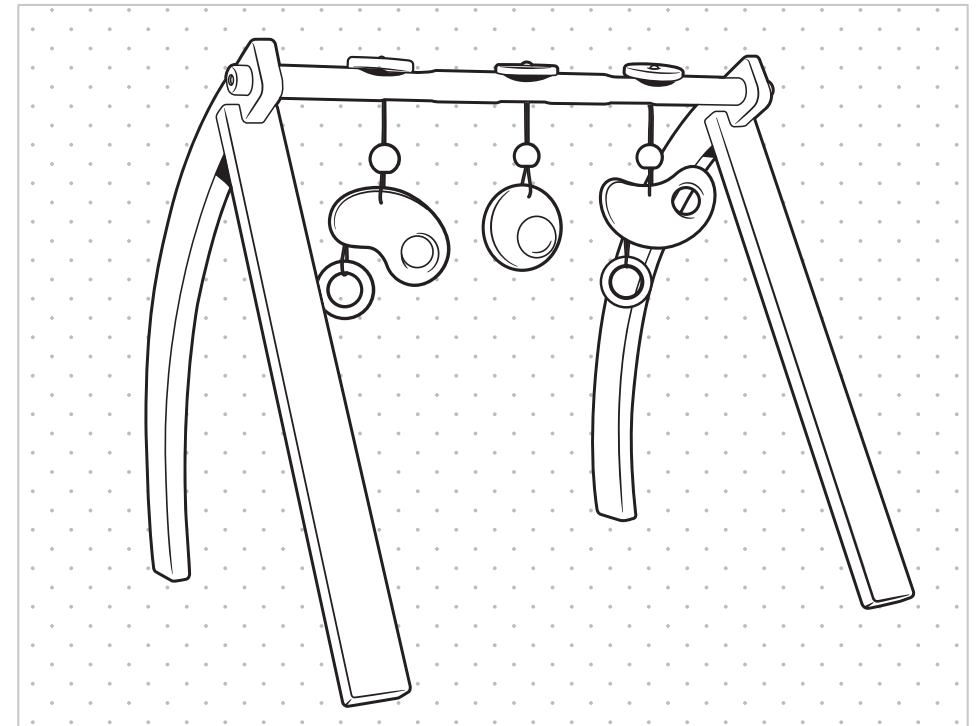
WARNING!

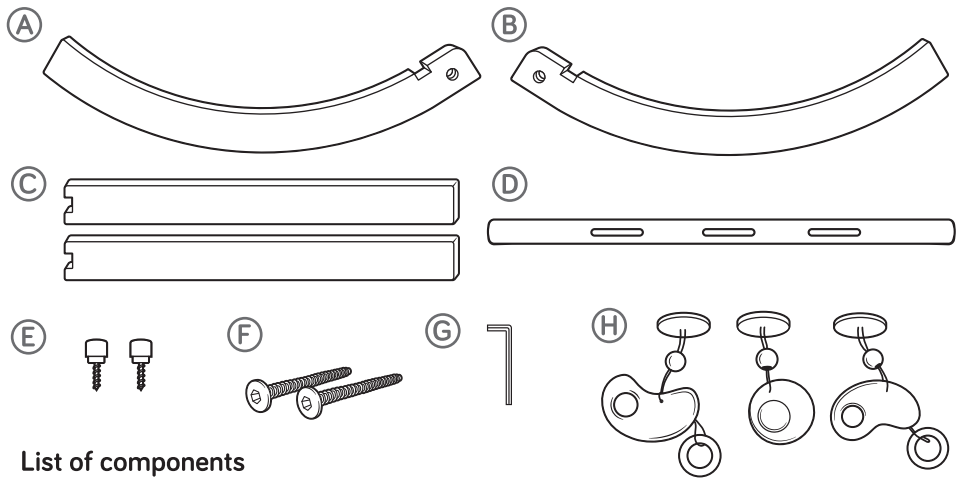
Adult assembly required before giving to the child. Check fitting regularly to ensure they are fully tightened. Remove all packaging before giving this toy to the child.



WARNING!

Very young children should be supervised at play by an adult.





List of components

- (A) Right arc
- (B) Left arc
- (C) 2 Flat legs
- (D) Horizontal pole
- (E) 2 Screw caps
- (F) 2 Allen screws
- (G) Allen key
- (H) 3 Hanging toys

