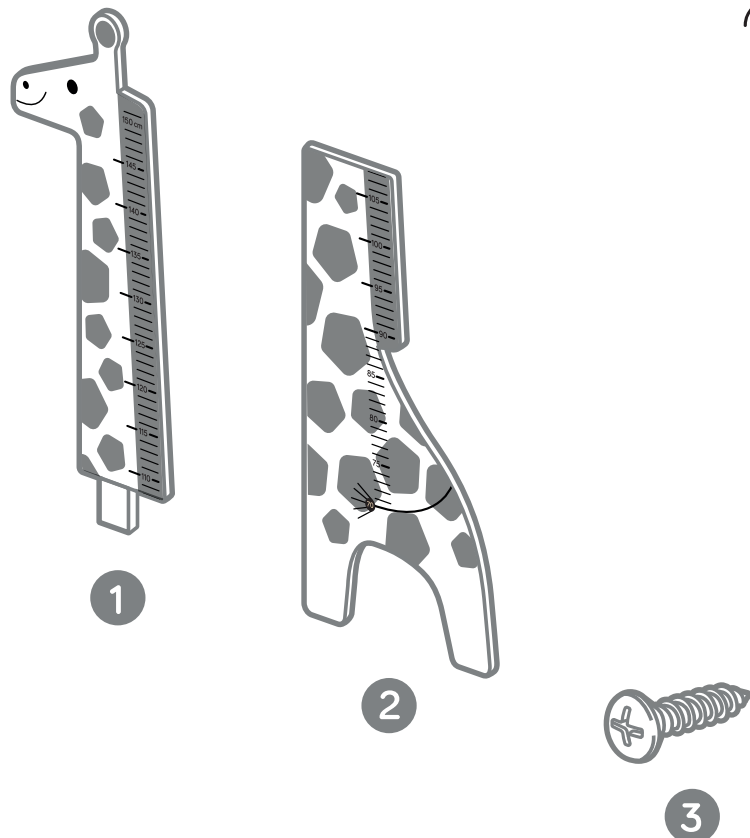


Giraffe

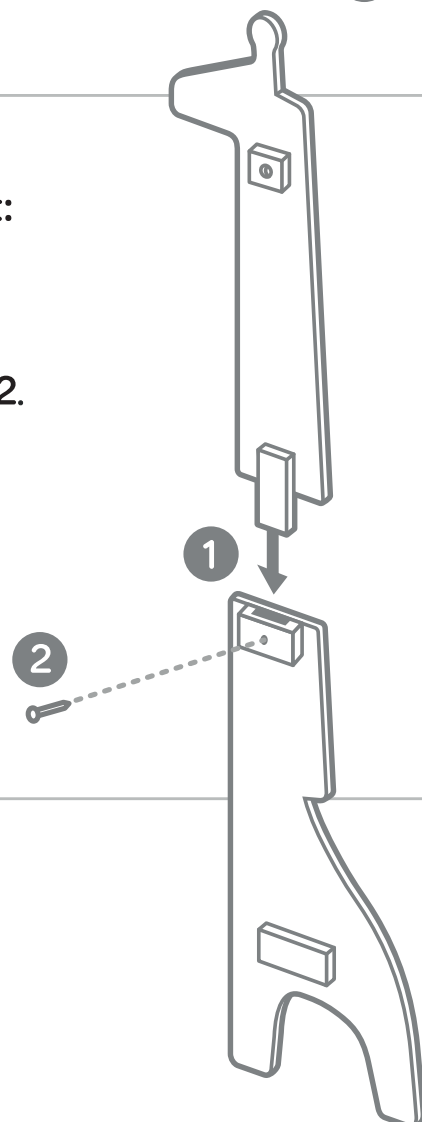
Measuring growth chart

- 1 Giraffe body (Part 1)
- 2 Giraffe body (Part 2)
- 3 Screw



How to assemble this measuring growth chart:

- 1 Insert the Part 1 of the Giraffe body into the wooden pocket in the upper side on the Part 2.
- 2 Screw both parts together as shown in the diagram. There's a hole as indication of where the screw should go.



! This product is not meant to be a toy but a decoration of the child's room, therefore it should be assembled by an adult due to the need of using a screwdriver.